

High Voltage Artificial Network

AN 150C10



- ISO 21498-2:2021
- VW 80300:2021-02
- MBN_11123

Features

- > Color touch screen operation, selecting internal resistance according to standards, automatically switching impedance and capacitance through relays, no manual switching required during testing, safe and convenient;
- > Built in 10mF decoupling capacitor and discharge resistor, and real-time monitoring of capacitor voltage;
- > Cooling method: air cooling, built-in temperature protection, no need for additional cooling devices;
- > The impedance curve range of ISO 21498&MBN 11123 is met through the 'gain phase parallel through' test method, and the internal resistance meets the VW80300 $\pm 2\%$ (minimum $\pm 1\text{m } \Omega$) requirement;
- > Optional (Autolab) remote control for automatic system testing and emission testing;
- > The design uses high-voltage shielded terminals for safer and more convenient use.

Introduction

AN 150C10 is designed according to ISO 21498-2, MBN_11123, and VW 80300, with integrated impedances of $0\text{m } \Omega$, $2 * 10\text{m } \Omega$, $2 * 25\text{m } \Omega$, $2 * 50\text{m } \Omega$, $2 * 100\text{m } \Omega$, $50\text{m } \Omega$, $100\text{m } \Omega$, $200\text{m } \Omega$, and 10mF capacitors. This device can be used for testing with a maximum DC current of 1500 V and 100A .

Application Areas



Technical Parameter

Frequency Range	10 Hz~150 KHz
Output Impedance	0mΩ, 2*10mΩ, 2*25mΩ, 2*50mΩ, 2*100mΩ, 50mΩ, 100mΩ, 200mΩ
Inductance	1 μH
Grounding Capacitance	1 μF or 220nF
Decoupling Capacitor	10 mF (0~+10%)
Input Voltage	MAX 1500 V DC
Current	Continuous 100 A, maximum 200 A (continuous for 2 minutes)
Capacitor Voltage Monitoring	Display the voltage value at the 10mF capacitor terminal
Temperature Protection	Stop operation when the internal temperature of the equipment exceeds 80 degrees Celsius

General parameters

Scope Of Working Power Supply	AC 110 V/220 V±10%, 50/60 Hz±5%
Fuse	6 A
Maximum Power Consumption	400 W
Instrument Grounding Connection Method	Use a flat grounding wire
Cabinet Size	35U (600*800*1850 mm)
Weight	About 260 kg
Temperature Range	15-35°C
Humidity Range	10% - 75%
Pressure Range	86 kPa – 106 kPa

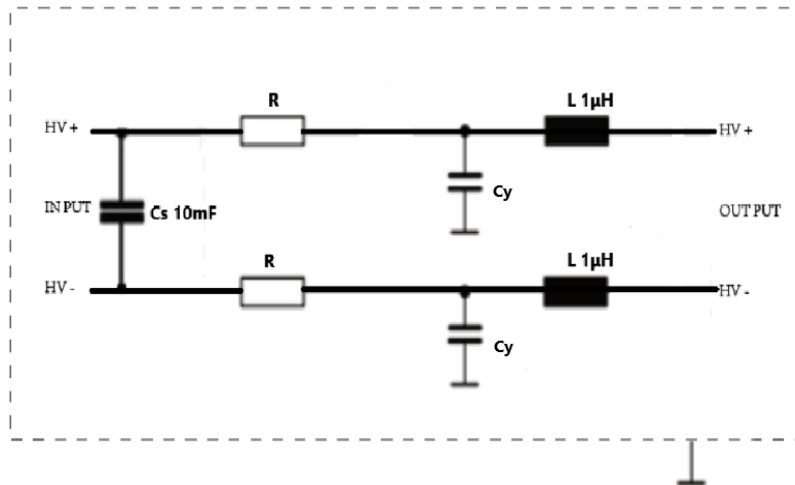
Standard accessories

Power line, test line, grounding wire, instruction manual

Optional accessories

Automotive Immunity Testing Software Autolab	Supports Windows 7 and Windows 8, 10, and 11. It is easy to use, has a beautiful and intuitive user interface, and various operational functions and standard testing libraries allow users to easily complete custom testing programs, Users can customize any waveform (outside of the standard library), It can automatically/manually identify the connected Autolab testing equipment and perform automatic configuration, The template based reporting feature can help users generate test reports flexibly.
--	---

The standard schematic diagram is as follows:



SUZHOU3CTEST ELECTRONIC CO., LTD

Address: No. 99 E'meishan Road, SND, Suzhou, Jiangsu Province, China
Sales Email: globalsales@3ctest.cn Service Email: service@3ctest.cn
Tel: + 86 - 512 - 68077192 Web: www.3c-test.com

